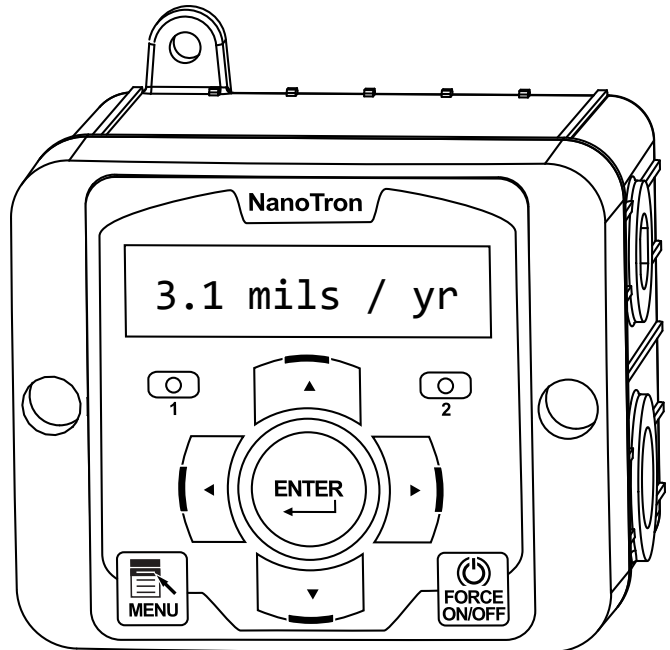


# NanoTron-M

## Corrosion Monitor and Control

Linear Polarization Resistance  
(LPR) Corrosion Rate  
Measurement



## Key Features

- Compact Design
- Simple Step Through Menu
- NEMA 4X Style Enclosure
- Raised Dome Keypad
- Non-Volatile Memory
- 2 Year Warranty
- Prewired Configuration

## Application

The NanoTron-M provides compact microprocessor based corrosion monitor control with many standard features and the flexibility to adapt to a variety of applications.

The NanoTron's simple step through menu provides user-defined configuration of set point relay activation with differential, high and low alarm.

A control relay and scalable analog output provide control, alarm and communication capabilities.

# Base Models

- NANO-M0** = Corrosion monitor with no sensor body
- NANO-M01** = Corrosion monitor with PVC quick release probe body and 3/4" tee; 140 PSI @ 75°F
- NANO-M02** = Corrosion monitor with 1" SS threaded probe body; 200 PSI @ 200°F

## Options

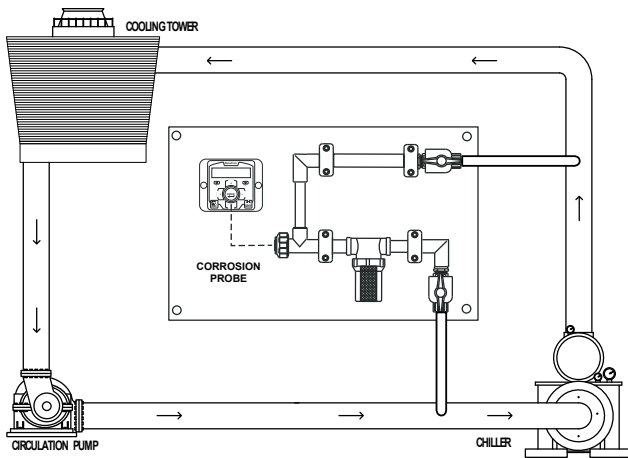
Your unit may be supplied with one or more options listed at the end of the model number (i.e. **NANO-M0-AE3**). This list represents our most popular options. For a complete list of options, consult the factory.

- A** = 100-240 volt conduit connections
- A3** = Liquid tight only with CE mark, 100-240 volt
- A5** = USA power cord and no relay cord
- A7** = Australian power cord (240 VAC)
- E** = Float style flow switch assembly; 140 PSI @ 75°F
- E3** = Paddle flow switch with PVC flow assembly
- E5** = Paddle flow switch with brass assembly; 250 PSI @ 75°F (order appropriate probes)
- E6** = Flow switch connection only with cable
- Y** = ETL agency listing

## Corrosion Sensor Tips (order separately)

- CE-MS** = Pair of Mild Steel
- CE-CO** = Pair of Copper
- CE-BR** = Pair of Brass
- CE-CN** = Pair of Cupro-Nickel
- CE-AL** = Pair of Aluminum
- CE-SS-304L** = Pair of 304 SS

Consult factory for other tip materials



**Typical Installation**

# Specifications

## Electrical

- **Input:** 100-240 VAC, 50/60 Hz
- **Control/Alarm:** Input VAC, 3 Amp / relay  
Prewired units are supplied with an 8' (248.84 cm) power cord and an 8" (20.32 cm) output receptacle.
- **Analog Output:** Isolated 4-20mA

## Operational

- **Display:** LCD 1 x 16 backlit alphanumeric
- **Keypad:** 6 button, raised dome tactile feedback
- **Scale:** 00.00-99.99 mils/year

## Enclosure

Heavy duty NEMA 4X style high impact thermoplastic

## Environment

Ambient temperature: 0° to 125°F (-17 to 52°C)  
Relative humidity: 0 to 100%

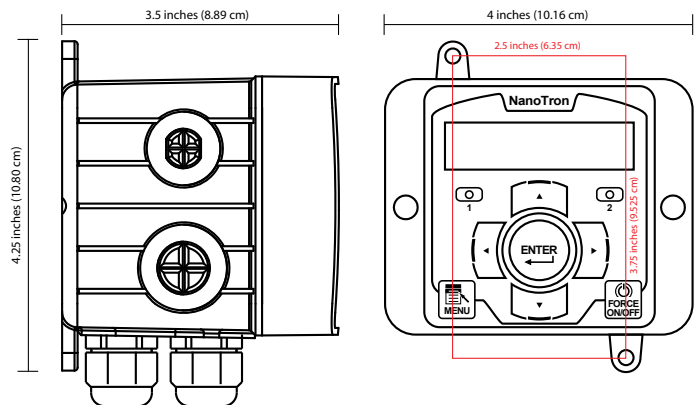
**Shipping Weight:** Approx. 2 lbs. (0.91 kg)

## Dimensions:

Width: 4" (10.16 cm)  
Height: 4.25" (10.80 cm)  
Depth: 3.5" (8.89 cm)

NanoTron-M standard features include:

- 1 relay output (control)
- Scalable analog output (4-20mA, 0-5 VDC)



**Get the Advantage**



4700 Harold Abitz Dr  
Muskogee, OK 74403  
800-743-7431 phone  
888-686-6212 fax  
[www.advantagecontrols.com](http://www.advantagecontrols.com)