

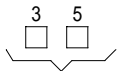
NOTE: TERMINAL L1 MUST BE POWERED BEFORE TERMINAL 12

FORM 6642VA GROUP M2101

PROTECTOFIER  
SINGLE BURNER  
MANUAL OPERATION

SS100A FLAME PAK

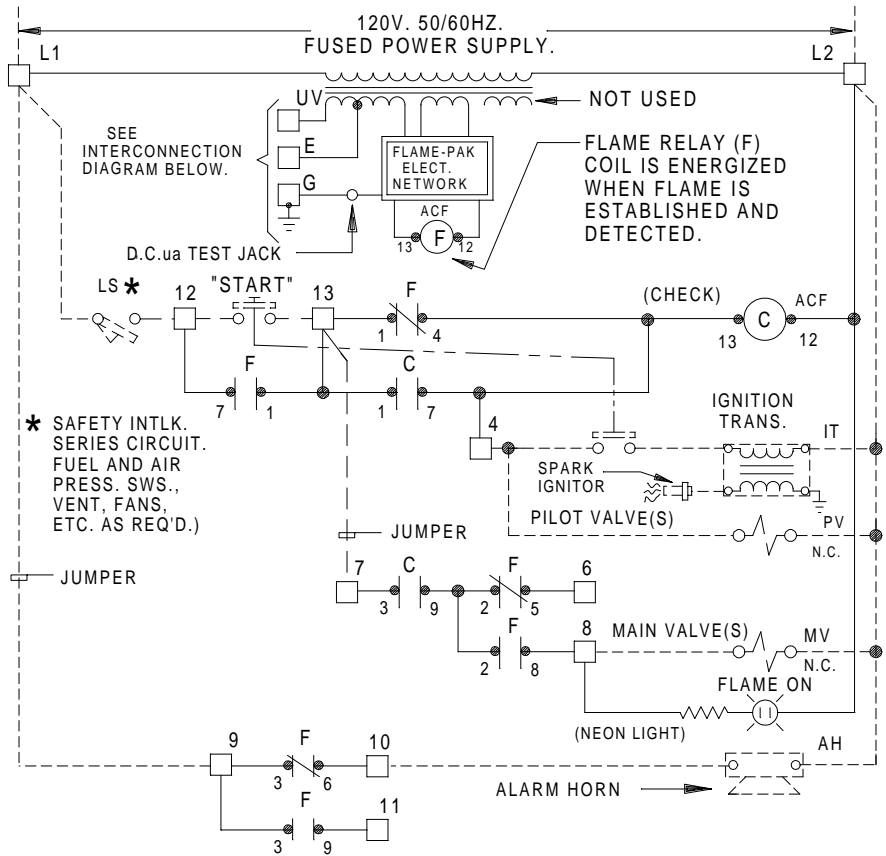
ACF { C-CHECK RELAY  
F-FLAME RELAY



NO CONNECTIONS

INTERNAL WIRING  
EXTERNAL WIRING

WIRING DIAGRAM



NOTE:  
TERMINAL L1 MUST BE POWERED BEFORE TERMINAL 12

SINGLE BURNER  
PROTECTOFIER

(FORM 6642 VA  
GROUP M2101)

NOTES:

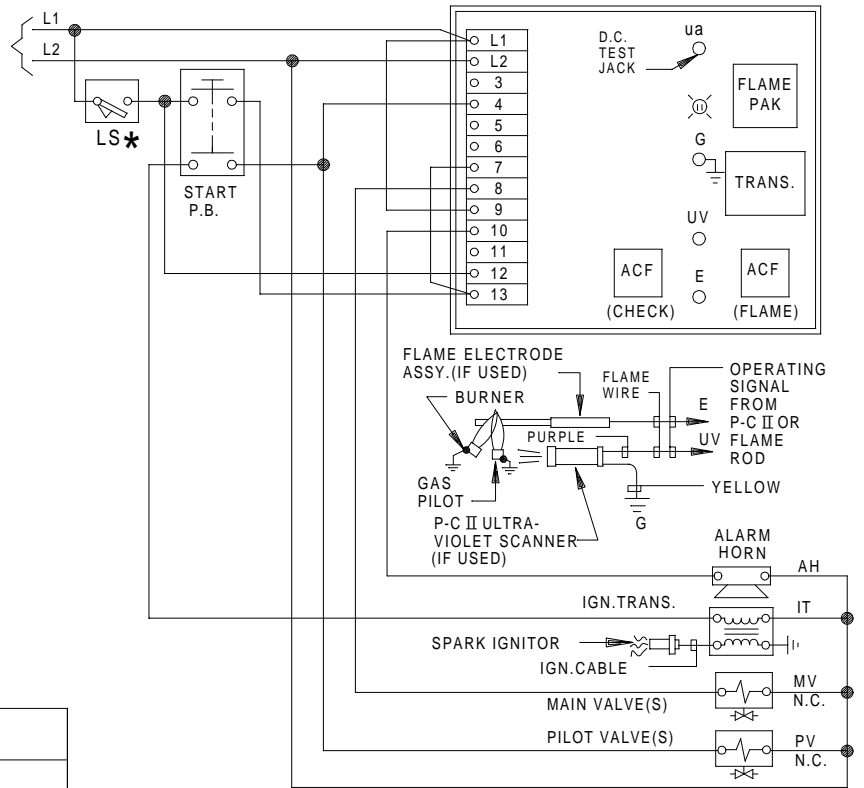
FLAME WIRE TO BE NO.14 TYPE TW. 600V. INSULATED WIRE OR EQUAL. FLAME WIRE MUST NOT BE IN SAME CONDUITS WITH POWER WIRING.

IGNITION CABLE MUST BE RUN IN SEPARATE CONDUIT TO SPARK ELECTRODE. (DO NOT MIX WITH 120V.WIRING.)

ALL WIRING AND EQUIPMENT EXTERNAL TO PROTECTOFIER TO BE FURNISHED BY OTHERS UNLESS OTHERWISE SPECIFIED.

INSTALLATION, OPERATION AND MAINTENANCE SHALL CONFORM WITH NATIONAL FIRE PROTECTION ASSOCIATION STANDARDS, NATIONAL AND LOCAL CODES AND AUTHORITIES HAVING JURISDICTION. ANY MODIFICATION VOIDS APPROVAL.

120V.  
50/60HZ.  
FUSED  
POWER  
SUPPLY.



INTERCONNECTION DIAGRAM

PROTECTION CONTROLS, INC.  
SKOKIE ILLINOIS

WIRING DIAGRAM FOR:  
PROTECTOFIER FORM 6642VA GROUP M2101

JOB NO.

REVISED  
12-02

DRAWING NO.  
X-235