

AM Series Small Junction Boxes: Lift-Off Screw Cover

A P P L I C A T I O N

- Designed for use as electrical junction boxes, terminal wiring boxes, instrumentation housings and electrical control enclosures
- Especially well suited for high temperature or corrosive environments
- Protects from dirt, dust, oil and water
- For use with industrial control equipment in ordinary locations

S T A N D A R D S

- Construction meets NEMA/EEMAC Type 4, 4X, 12 specifications
- UL 508 listed, Type 1, 2, 3, 3R, 4, 4X, 12, 13
- CSA certified LR 89590 for use with industrial control equipment CSA Enc. 1, 2, 3, 4, 4X, 12, 13

C O N S T R U C T I O N

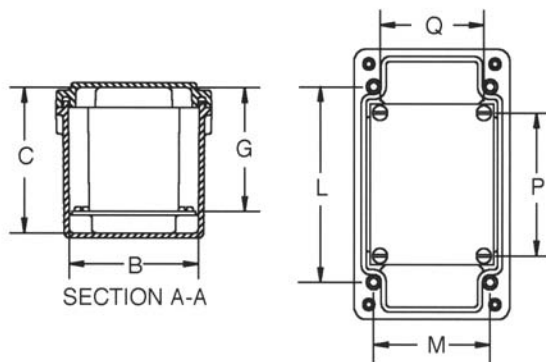
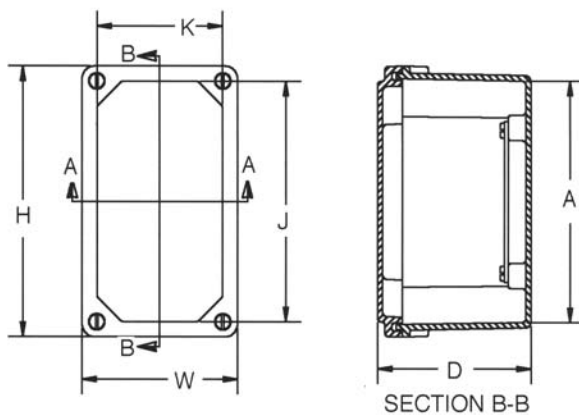
- Rugged, molded fiberglass reinforced polyester construction with reinforced corners
- Two standard sizes: 7" x 4" x 3" and 9" x 4" x 3"
- 304 Stainless steel captive cover screws and mounting feet
- "Tongue and groove" type closed-cell neoprene gasket
- Threaded inserts for optional aluminum back panel
- UV stabilized for outdoor use

A C C E S S O R I E S

- Optional aluminum back panels

M O D I F I C A T I O N S

- Custom holes and cutouts
- Custom size polycarbonate viewing windows
- Molded-in color matches
- EMI/RFI shielding
- Factory-supplied silk screening



TOP VIEW WITH COVER REMOVED
(SHOWN WITH OPTIONAL BACK PANEL)

Optional Aluminum Back Panel		
Part No.	Height	Width
PA74	4.00	3.13
PA94	6.25	3.13

All dimensions in inches.

Part No.	Overall			Inside				J	K	L	M	P	Q
	H	W	D	A	B	C	G						
AM743	6.74	3.93	3.88	6.01	3.26	3.63	3.08	6.13	3.31	4.88	2.94	3.56	2.63
AM743SF*	6.74	3.93	3.88	6.01	3.26	3.63	3.08	6.13	3.31	4.88	2.94	3.56	2.63
AM943	8.99	3.93	3.88	8.26	3.26	3.63	3.08	8.31	3.31	7.13	2.94	5.81	2.63
AM943SF*	8.99	3.93	3.88	8.26	3.26	3.63	3.08	8.31	3.31	7.13	2.94	5.81	2.63

All dimensions in inches.

*Available with or without stainless steel mounting feet. Suffix "SF" denotes box without mounting feet.



Order Today: 419-636-4217, Fax: 419-636-2450, e-mail: sales@alliedmoulded.com