

## ***AM-R Series JIC Size Junction Boxes: Snap Latch Hinged Cover***

### **A P P L I C A T I O N**

- Designed to insulate and house electrical and electronic controls, instruments or components for indoor and outdoor applications
- Especially well suited for high temperature or corrosive environments
- Protects from dirt, dust, oil and water

### **S T A N D A R D S**

- Construction meets NEMA/EEMAC Type 4, 4X, 12 specifications
- UL 508 listed, Type 1, 2, 3, 3R, 4, 4X, 12, 13
- CSA certified LR 89590 for use with industrial control equipment CSA Enc. 1, 2, 3, 4, 4X, 12, 13

### **C O N S T R U C T I O N**

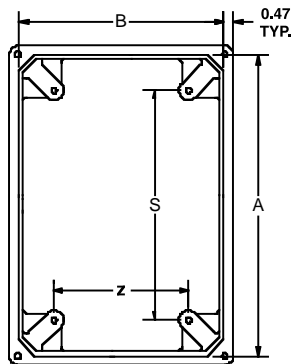
- Strong, molded fiberglass reinforced polyester construction with matching raised cover
- 304 stainless steel snap latches feature padlock hasp
- Continuous stainless steel hinge
- Gasket made of closed-cell neoprene cord encased in a continuous channel
- 304 stainless steel wall mounting feet with 10-32 stainless steel screws included
- 10-32 threaded inserts are installed for optional back panel
- JIC sizing
- Fiberglass material is easily punched, drilled or sawed
- UV stabilized for outdoor use

### **A C C E S S O R I E S**

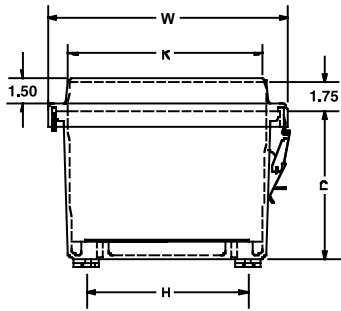
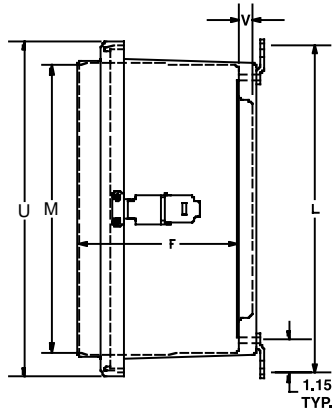
- Optional painted carbon steel back panels (See table on pages 64-65.)
- Optional aluminum back panels (See table on pages 64-65.)
- Optional deadfront panel (See table on pages 64-65.)

### **M O D I F I C A T I O N S**

- Custom size holes and cutouts
- Custom size polycarbonate viewing windows
- Molded-in color matches
- Hinge installed on short side
- EMI/RFI shielding
- Factory-supplied silk screening



Note: Cover removed for clarity



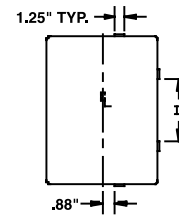
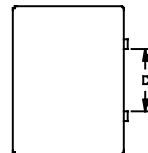
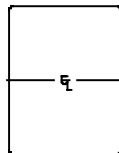
Nom. 1/8" wall thickness

**Latch Locations**

For use on  
6x6x4  
8x6x4  
10x8x6

For use on  
12x10x6 D=6.75  
14x12x6 D=7.25  
16x14x8 D=7.25

For use on  
18x16x8 D= 5.25  
20x16x8 D= 9.25



Part No.	Box Size			Centers						Cover Dim.			
	A	B	C	V	F	H	S	Z	L	K	M	U	W
AM664RL	6.10	6.10	4.18	0.44	5.26	5.01	4.25	4.25	7.32	6.08	6.08	7.69	7.69
AM864RL	8.00	6.13	4.13	0.44	5.21	5.01	6.25	4.25	9.19	6.11	7.98	9.59	7.71
AM1086RL	10.14	8.26	6.13	0.44	7.21	7.01	8.25	6.25	11.19	8.44	10.32	11.73	9.85
AM1206RL	12.14	10.26	6.13	0.44	7.21	9.01	10.25	8.25	13.19	10.45	12.32	13.73	11.85
AM1426RL	14.13	12.26	6.13	0.44	7.21	11.01	12.25	10.25	15.19	12.45	14.32	15.73	13.85
AM1648RL	16.27	14.40	8.13	0.44	9.21	13.01	14.25	12.25	17.19	13.86	15.73	17.87	15.99
AM1868RL	18.40	16.40	8.13	0.44	9.21	14.97	16.25	14.25	19.28	15.86	17.86	20.00	18.00
AM2068RL	20.00	16.00	8.13	0.44	9.21	14.54	17.81	13.81	20.84	15.43	19.43	21.59	17.59

All dimensions in inches.



Order Today: 410-833-8200, Fax: 410-833-8204, e-mail: sales@whcooke.com