

## ***AM-R Series JIC Size Junction Boxes: Snap Latch Hinged Cover With Window***

### **APPLICATION**

- Designed to insulate and house electrical and electronic controls, instruments or components for indoor and outdoor applications
- Especially well suited for high temperature or corrosive environments
- Protects from dirt, dust, oil and water
- Window unit provides viewing area for instrumentation or equipment

### **STANDARDS**

- Construction meets NEMA/EEMAC Type 4, 4X, 12 specifications
- UL 508 listed, Type 1, 2, 3, 3R, 4, 4X, 12, 13
- CSA certified LR 89590 for use with industrial control equipment CSA Enc. 1, 2, 3, 4, 4X, 12, 13

### **CONSTRUCTION**

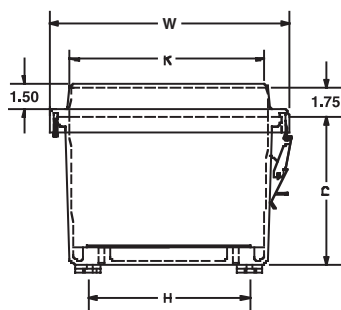
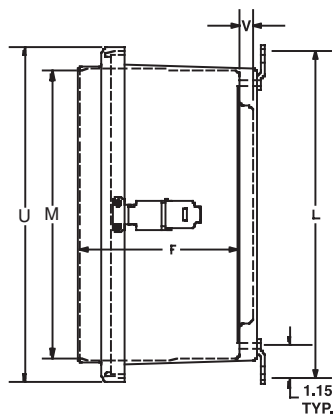
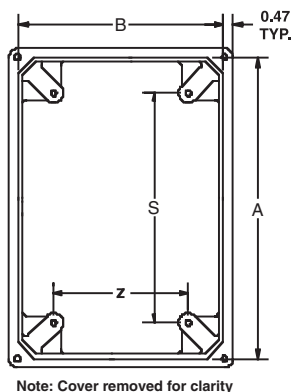
- Strong, molded fiberglass reinforced polyester construction with matching raised cover
- UV resistant polycarbonate viewing window
- 304 stainless steel snap latches feature padlock hasp
- Continuous stainless steel hinge
- Gasket made of closed-cell neoprene cord encased in a continuous channel
- 304 stainless steel wall mounting feet with 10-32 stainless steel screws included
- 10-32 threaded inserts are installed for optional back panel
- JIC sizing
- Fiberglass material is easily punched, drilled or sawed
- UV stabilized for outdoor use

### **ACCESSORIES**

- Optional painted carbon steel back panels (See table on pages 64-65.)
- Optional aluminum back panels (See table on pages 64-65.)
- Optional deadfront panel (See table on pages 64-65.)

### **MODIFICATIONS**

- Custom size holes and cutouts
- Custom size polycarbonate viewing windows
- Molded-in color matches
- Hinge installed on short side
- EMI/RFI shielding
- Factory-supplied silk screening



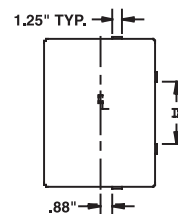
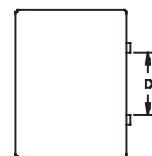
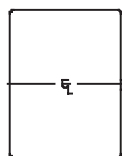
Nom. 1/8" wall thickness

**Latch Locations**

For use on  
6x6x4  
8x6x4  
10x8x4  
10x8x6

For use on  
12x10x6 D=6.75  
14x12x6 D=7.25  
16x14x8 D=7.25

For use on  
18x16x8 D= 5.25  
20x16x8 D= 9.25



Part No.	Box Size			Centers						Cover Dim.				Win. Dim.
	A	B	C	V	F	H	S	Z	L	K	M	U	W	
AM664RLW	6.10	6.10	4.18	0.44	5.17	5.01	4.25	4.25	7.32	6.08	6.08	7.69	7.69	4.25 x 4.25
AM864RLW	8.00	6.13	4.13	0.44	5.12	5.01	6.25	4.25	9.19	6.11	7.98	9.59	7.71	4.25 x 6.25
AM1084RLW	10.14	8.26	4.13	0.44	5.21	7.01	8.25	6.25	11.19	8.44	10.32	11.73	9.85	6.50 x 8.38
AM1086RLW	10.14	8.26	6.13	0.44	7.12	7.01	8.25	6.25	11.19	8.44	10.32	11.73	9.85	6.50 x 8.37
AM1206RLW	12.14	10.26	6.13	0.44	7.12	9.01	10.25	8.25	13.19	10.45	12.32	13.73	11.85	8.50 x 10.37
AM1426RLW	14.13	12.26	6.13	0.44	7.12	11.01	12.25	10.25	15.19	12.45	14.32	15.73	13.85	10.50 x 12.37
AM1648RLW	16.27	14.40	8.13	0.44	9.12	13.01	14.25	12.25	17.19	13.86	15.73	17.87	15.99	11.00 x 13.00
AM1868RLW	18.40	16.40	8.13	0.44	9.12	14.97	16.25	14.25	19.28	15.86	17.86	20.00	18.00	12.00 x 14.00
AM2068RLW	20.00	16.00	8.13	0.44	9.12	14.54	17.81	13.81	20.84	15.43	19.43	21.59	17.59	11.00 x 15.00

All dimensions in inches.



Order Today: 419-636-4217, Fax: 419-636-2450, e-mail: sales@alliedmoulded.com