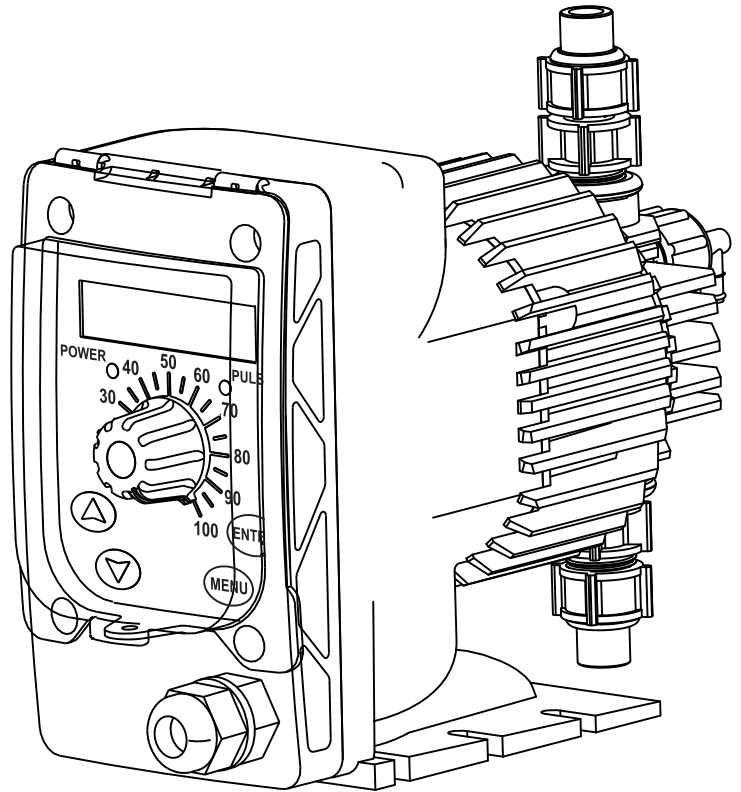


# Series R

MicroTron Relay Output  
Chemical Metering Pump

## *Pump and Controller Together In One Unit*



## Key Features

- Microprocessor Controlled
- Control Relay Output
- NEMA 4X Style Enclosure
- Splash Cover Over Controls
- Guided Double Ball Checks
- LED Indicating Lights
- LCD Backlit Display
- Widest Turn Down Capability
- Thermal Overload Protection
- Priming Valve Standard

## Application

MicroTron Series R pumps combine chemical metering and a control relay output function in one simple unit. The Model R pump controller combination provides the lowest cost package system for a wide variety of water treatment applications.

Model R pumps may be ordered in the following configurations:

- **Conductivity Control**
- **Conductivity Control with Feed Timer**
- **Conductivity Control with Biocide Timer**
- **Dual Pulse Timers**
- **Dual 28-day Biocide Timers**
- **Dual Sequential Percent Timers**
- **pH Control**
- **ORP Control**

# Build a Model

Model R \_ \_ \_ \_ \_ - \_ \_ \_ \_ \_

Build your model number by selecting one code from each step. Example: RD30X1-KVC1

## STEP 1 ....RELAY CONTROL FUNCTION

- C = Conductivity Feed and Bleed
- D = Conductivity Bleed with Selectable Feed Timer
- P = pH Control with Alarm Relay
- O = ORP Control with Alarm Relay
- T = Dual Selectable Timers (Pulse, %, 28-Day)

## STEP 2 .....OUTPUT (MAXIMUM)

- 15 = 15 GPD / 2.37 LPH at 150 PSI (10.3 bar)
- 30 = 30 GPD / 4.70 LPH at 110 PSI (7.5 bar)
- 45 = 45 GPD / 7.09 LPH at 75 PSI (5.1 bar)
- 17 = 17 GPD / 2.60 LPH at 250 PSI (17.2 bar)

## STEP 3 .....STOP FUNCTION

- X = Standard
- D = Auto Stop Input with 8' Cord
- E = Flow Switch Assembly with 8' Cord
- G = Flow Switch Only with 8' Cord

## STEP 4 .....VOLTAGE

- 1 = 120 Volt USA Plug
- 2 = 240 Volt
- 3 = 240 Volt Specified Plug

## STEP 5 .....HEAD MATERIAL

- K = Kynar
- S = Stainless

## STEP 6 ..... SEAT MATERIAL

- V = Viton
- F = Teflon
- H = Hypalon

## STEP 7 .....CHECK BALL

- C = Ceramic
- S = Stainless

## STEP 8 ..... CONNECTIONS

- 1 = 3/8" (9.525 mm) Tubing - 110 & 150 PSI
- 2 = 1/4" (6.35 mm) Tubing - 250 PSI
- 3 = 3/8" (9.525 mm) Tubing - 250 PSI
- P = 1/4" (6.35 mm) MNPT Connections
- V = 3/8" (9.525 mm) Vinyl Suction Tubing - 110 or 250 PSI

For other options, see Price List or consult factory.

# Specifications

## Electrical

- **Input:** 120 VAC or 250 VAC @ 50/60 Hz
- **Output:** Relay rated to 5 amp

## Operational

- **Display:** 16 character LCD backlit
- **Stroke length:** Manual adjustment
- **Speed frequency:** 1 to 7500 strokes/hour
- **Conductivity scale:** 0-5,000  $\mu$ S
- **pH scale:** 2-12 pH units
- **ORP scale:** 0 to 1000 mV
- **Accuracy:** +/- 1% of scale

## Optional Timers

- **Pulse:** 0-10 min, 0-59 sec w/ accumulator
- **Limit:** 0-90 minutes
- **Post Bleed:** 0-99% w/ limit (RD only)
- **Percent:** 0-99% of 10-30 minutes
- **Biocide:** 28-Day

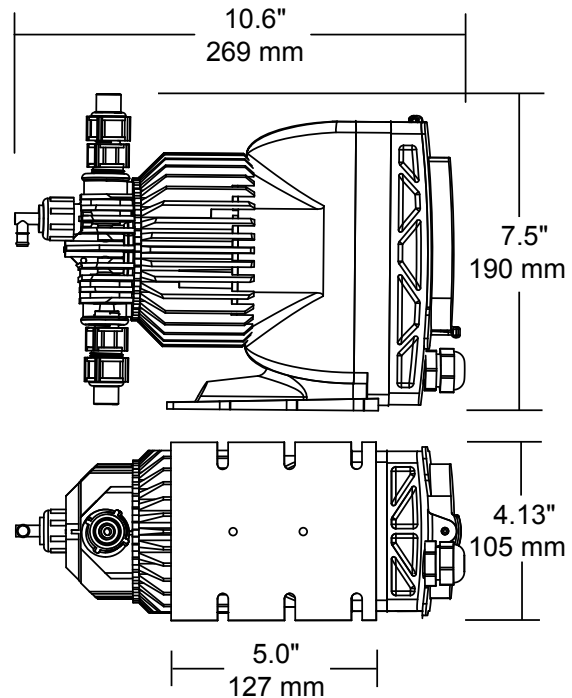
## Enclosure

Heavy duty NEMA 4X style high impact thermoplastic with clear lexan cover.

## Environment

- Ambient temperature: 32° to 140°F (0°C to 60°C)
- Relative humidity: 0 to 100%

**Shipping Weight:** Approximately 10 lbs. (4.536 kg)



**Get the Advantage**



4700 Harold Abitz Dr  
Muskogee, OK 74403  
800-743-7431 phone  
888-686-6212 fax  
[www.advantagecontrols.com](http://www.advantagecontrols.com)