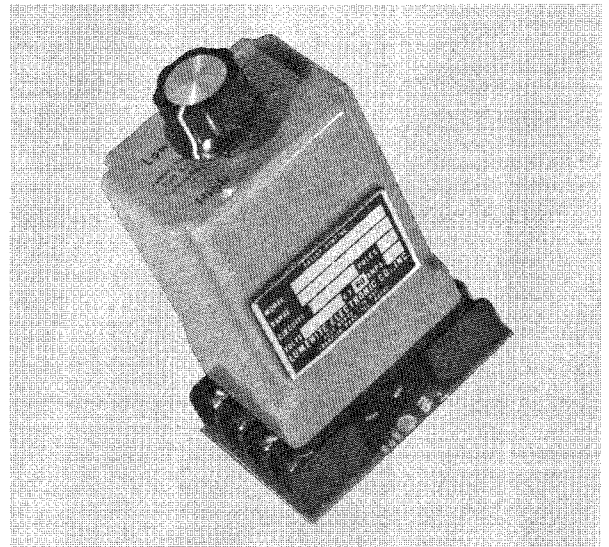


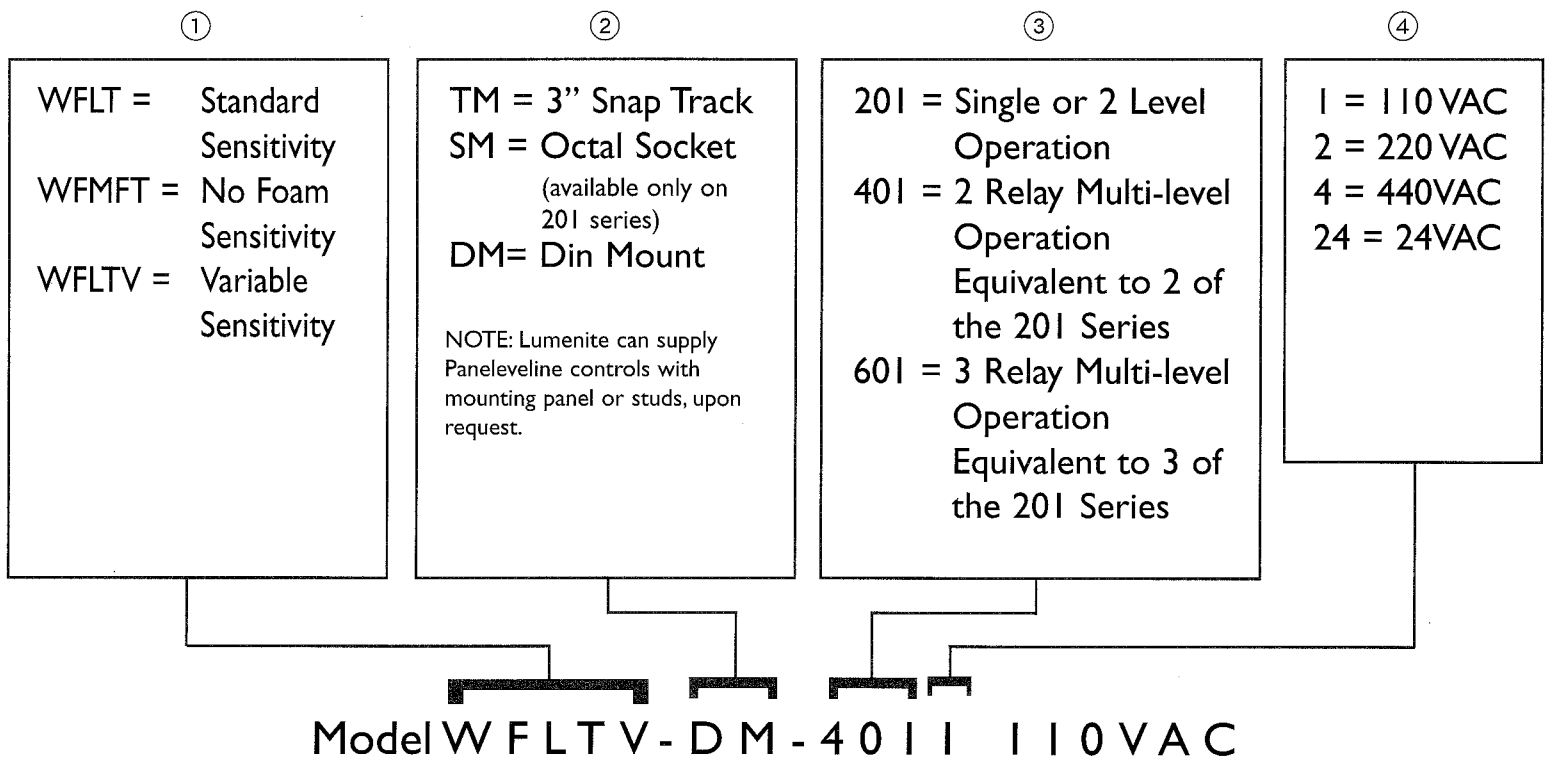
OCTAL SOCKET MOUNTING **PANELEVELINE**

Series WFLT-SM-201, WFMFT-SM-201, and WFLTV-SM-201 octal socket mounting single or 2 level control. Dimensions: 5" high with socket, 3" wide, 2" deep.



SPECIFICATION AND ORDERING KEY FOR LUMENITE PANELEVELINE™ CONDUCTIVITY TYPE POINT SENSING LIQUID LEVEL CONTROLS:

FOUR PART MODEL NUMBER



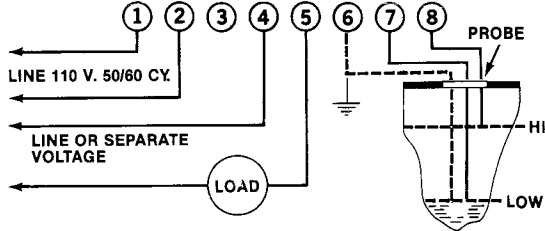
Din Rail Mounting 401 Series Level Control with Variable Sensitivity Feature.

WIRING SCHEMATICS AND TYPICAL APPLICATIONS FOR MODULAR LEVEL CONTROLS

MODEL WFLT, WFMFT, WFLTV-2011 TRACK MOUNTING

LUMENITE ELECTRONIC LIQUID LEVEL CONTROL

SERIES	WFLT-WFMFT-WFLTV		
MODEL	2011	VOLTAGE 50/60CY	110
CIRCUITS	2	SWITCH AMPERES	10
SENSITIVITY	LIQUID		

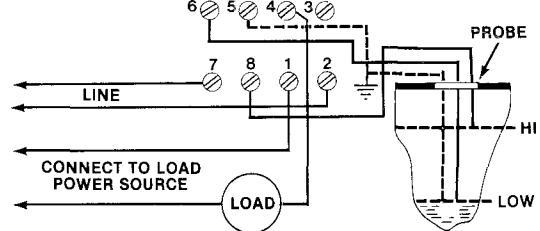


FILLING: Load on when liquid is below low level probe. Load off when liquid rises and touches the high level probe.
EMPTYING: Remove wire from post #4 and connect it to post #3.
 If load exceeds 1/4 H.P. single phase, or for any three phase load use magnetic motor starter.

MODEL WFLT, WFMFT, WFLTV-SM-2011 OCTAL SOCKET MOUNTING

LUMENITE ELECTRONIC LIQUID LEVEL CONTROL

SERIES	WFLT-WFMFT-WFLTV—SM		
MODEL	2011	VOLTAGE 50/60CY	110
CIRCUITS	2	SWITCH AMPERES	10
SENSITIVITY	LIQUID		



FILLING: Load on when liquid is below low level probe. Load off when liquid rises and touches the high level probe.
EMPTYING: Remove wire from post #4 and connect it to post #3.
 If load exceeds 1/4 H.P. single phase, or for any three phase load use magnetic motor starter.

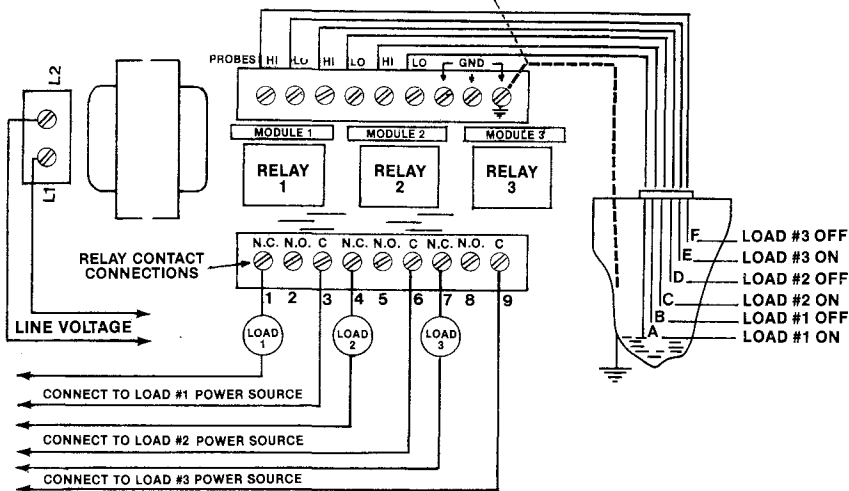
MODEL WFLT, WFMFT, WFLTV-6011 TRACK MOUNTING

The Lumenite 601 Series Track Mounting Level Control Board is a powerful & flexible device which eliminates the need for individual, separately mounted, level controls. The three relay circuits are totally isolated and can provide many standard sequences of operation. For DIN Mounting, specify WFLT/WFMFT/WFLTV-DM-601

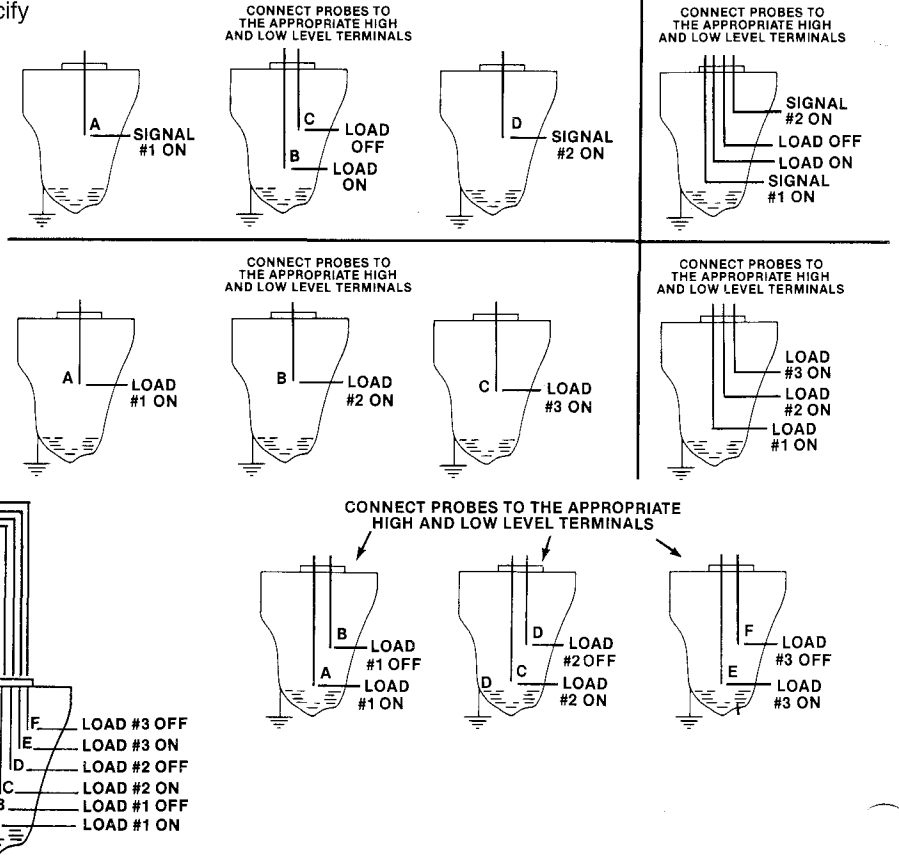
Following are some typical sequences of operation with corresponding wiring diagrams.

NOTE: If your application requires only 2 relays and 2 modules to replace two of the 201 series controls, specify WFLT, WFMFT, or WFLTV-401*.

CONNECT ANY OF THE THREE GND POSTS TO A GOOD EARTH GROUND OR GROUND PROBE.



ALTERNATE SEQUENCES: PROBES SHOWN IN SEPARATE TANKS



PROBES SHOWN IN SAME TANK

CONNECT PROBES TO THE APPROPRIATE HIGH AND LOW LEVEL TERMINALS

