

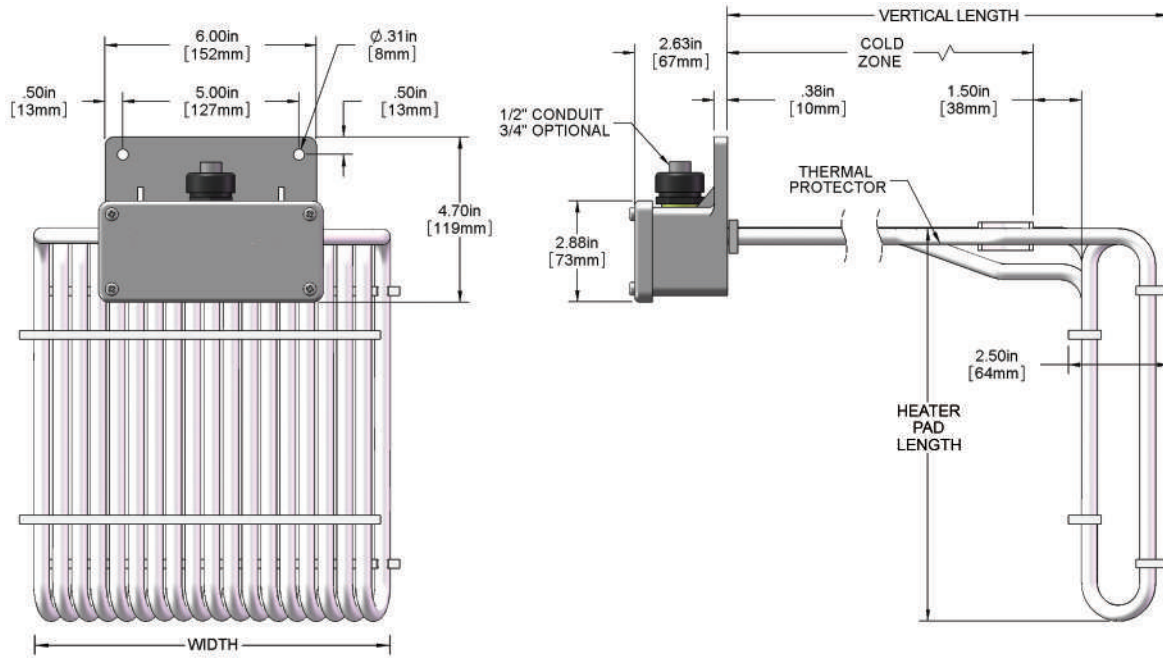
3HXOL SERIES, MULTI ELEMENT L-SHAPED FLUOROPOLYMER (PTFE) HEATERS								
WATTS	VOLTS	WIDTH	HEATER STD. VERT. PAD		MAX. COLD ZONE	MODEL NUMBER	SHIP WGT.	
			LENGTH	LENGTH				
		In./(mm)	In./(mm)	In./(mm)	In./(mm)		Lbs./(kg)	
3000	240	7	13	18	36	3HXOL3207-13-R*-**	20	
	480	(180)	(330)	(460)	(915)	3HXOL3407-13-R*-**	(9.5)	
4500	240	9	11	18	35	3HXOL4.5209-11-R*-**	21	
	480	(230)	(280)	(460)	(890)	3HXOL4.5409-11-R*-**	(9.5)	
6000	240	10	19	18	35	3HXOL6210-19-R*-**	22	
	480	(255)	(485)	(460)	(890)	3HXOL6410-19-R*-**	(10)	
9000	240	10	23	18	35	3HXOL9210-23-R*-**	36	
	480	(255)	(585)	(460)	(890)	3HXOL9410-23-R*-**	(16.5)	
12000	240	10	30	18	35	3HXOL12210-30-R*-**	42	
	480	(255)	(760)	(460)	(890)	3HXOL12410-30-R*-**	(19.5)	
15000	240	10	36	18	31	3HXOL15210-36-R*-**	48	
	480	(255)	(915)	(460)	(790)	3HXOL15410-36-R*-**	(22)	
18000	240	10	42	18	25	3HXOL18210-42-R*-**	54	
	480	(255)	(1070)	(460)	(635)	3HXOL18410-42-R*-**	(24.5)	

Three phase standard. This configuration is not recommended for applications prone to sludge buildup.

Product Features and Benefits:

- ◆ **SUPERIOR CHEMICAL RESISTANCE:** Inert to most aqueous acid, alkaline, anodizing and pickling solutions up to 212°F (100°C).
- ◆ **RUGGED CONSTRUCTION:** Heavy wall fluoropolymer (PTFE) covered stainless steel element reduces permeation and eliminates the need for gas purge systems. Guaranteed 100% pinhole free.
- ◆ **OUTSTANDING PERFORMANCE:** Low watt density design (10 watts/square inch, 1.5w/cm²) for long service life.
- ◆ **EVEN HEATING:** Bottom design for even heating and varying liquid levels.
- ◆ **CORROSION RESISTANT HEAD:** Vapor tight, flame retardant polypropylene terminal enclosure with 3-foot (.9m) flexible PVC liquid tight conduit.
- ◆ **SAFETY FEATURES:**
 - Grounded internal metal element.
 - Thermal protector built in. Replaceable P1 fuse standard for solutions up to 190°F (88°C).
 - Non-floating construction.
- ◆ **CERTIFICATIONS:** UL (3-18 kW), and CE.
- ◆ **SIZES:** 3,000 watts to 18,000 watts.
- ◆ **VOLTAGES:** 120, 240 or 480 volts. 208, 380, 415, 600 (CSA only) and other voltages available. Three phase standard, single phase available.
- ◆ **OPTIONS AVAILABLE (consult factory):**
 - Resettable thermal protectors:
 - P2: bi-metal switch for solutions up to 190°F (88°C).
 - P8: type-J thermocouple for solutions from 190°F (88°C) to 210°F (99°C).
 - P3: type-J thermocouple for solutions from 210°F (99°C) to 250°F (121°C).
 - Longer vertical lengths (cold zones).
 - Polypropylene guards: recommended for applications up to 180°F (82°C) (sold separately).
 - Fluoropolymer (PTFE) guards: recommended for chromic acid or solutions over 180°F (82°C) (sold separately).
 - Special configurations.
 - Longer wire and conduit lengths.
 - Lower watt densities for highly viscous solutions and technical acids.
 - Temperature and level controls sized to match the heater.
 - Single phase power.

DIMENSIONS



THREE ELEMENT L-SHAPED FLUOROPOLYMER (PTFE) HEATER ORDERING INFORMATION

Series	Wattage	Voltage	Width (in.)	Heater Pad Length (in.)	Vertical Length (in.)	Options (in.)	Type of Fuse	Wire and Conduit Length
	3 = 3000 4.5 = 4500 6 = 6000 9 = 9000 12 = 12000 15 = 15000 18 = 18000	1 = 120 2 = 240 3 = 380 4 = 480 5 = 415 6 = 600 7 = 400 8 = 208 9 = 220 0 = 200	07 = 3kW 09 = 4.5kW 10 = 6kW 10 = 9kW 10 = 12kW 10 = 15kW 10 = 18kW	-13 = 3kW -11 = 4.5kW -19 = 6kW -23 = 9kW -30 = 12kW -36 = 15kW -42 = 18kW				36" length standard (no designator) specify variations from standard Ex: -X84 = 84"
	3HXOL = 3 element PTFE sheathed 3HSOL = 3 element 304 stainless steel			-R18 = 3kW -R18 = 4.5kW -R18 = 6kW -R18 = 9kW -R18 = 12kW -R18 = 15kW -R18 = 18kW specify custom lengths, not to exceed tank length			Replaceable Fuse -P1 (std) for solutions up to 190°F -P4 for 190° - 220°F solutions Resettable Fuse (additional control components required) -P2 for solutions up to 190°F -P8 for 190° - 210°F solutions -P3 for 210° - 250°F solutions	no designator = three phase power (standard) -1 = single phase power
1 inch = 25.4mm								

ORDERING EXAMPLE:

3HXOL6210-19-R18-P1-X50

Multi element fluoropolymer L-shaped heater, 6000 watts, 240 volt, three phase, 10" wide, 19" hot zone, 18" vertical length, P1 thermal fuse, 50" wire and conduit

