



ULTRA HIGH TEMP BOILER CONDUCTIVITY SENSOR

PRODUCT SPECIFICATION SHEET



Heavy duty electrodes for boiler applications

Available with ATC for most makes and models of conductivity transmitters or controllers

1.0 cell constant available

Sensorex manufactures a quality line of industrial grade conductivity electrodes for use in high temperature boiler control. Sensorex boiler conductivity sensors are constructed from stainless steel bodies and pins (316SS), PEEK insulators and perfluoro elastomer o-rings. These boiler conductivity sensors have 2 each 3/4" male NPT threads. Two models are available. One model incorporates ATC elements (Pt1000 RTD or PT100 RTD) and the other does not. Model CS875HTTC includes temperature element while the CS875HT does not, depending upon your application requirements. The CS875HT and CS875HTTC feature a 1" insertion depth beyond the 3/4" MNPT mounting threads.

All Sensorex boiler probes are supplied with 6" PTFE coated leads for integral mounting to a Forged Steel Junction Box/Conduit connection and extension (customer supplied). Cell k value of 1.0 is standard.

SPECIFICATIONS

Wetted Materials

3/4" NPT stainless steel 316L body and pins, PEEK insulator, perfluoro elastomer o-rings

Cell Constant

k = 1.0

Wire Leads

CS875HT and CS875HTTC models: 6" PTFE coated wire

Wire Designations (PTFE Coated)

Red = Body

Black = Center pin

Green/White = Temperature (only on CS875HTTC)

Temperature/Pressure Ratings

Model #	Temp. Max.	Pressure Max.
CS875HT	486°F (252°C)	600 psi(41.4 bar)
CS875HTTC	486°F (252°C)	600 psi(41.4 bar)

PARTS COVERED BY THIS PRODUCT DATA SHEET INCLUDE:
CS875HT, CS875HTTC

ORDERING INFORMATION

Model Number	Description
CS875HT-K=1	High Temp 316SS conductivity sensor with 3/4" NPT, 6" PTFE leads
CS875HTTC-K=1-PT1	High Temp 316SS conductivity sensor with 3/4" NPT, PT100 RTD temperature compensation, 6" PTFE leads
CS875HTTC-K=1-P1K	High Temp 316SS conductivity sensor with 3/4" NPT, PT1000 RTD temperature compensation, 6" PTFE leads

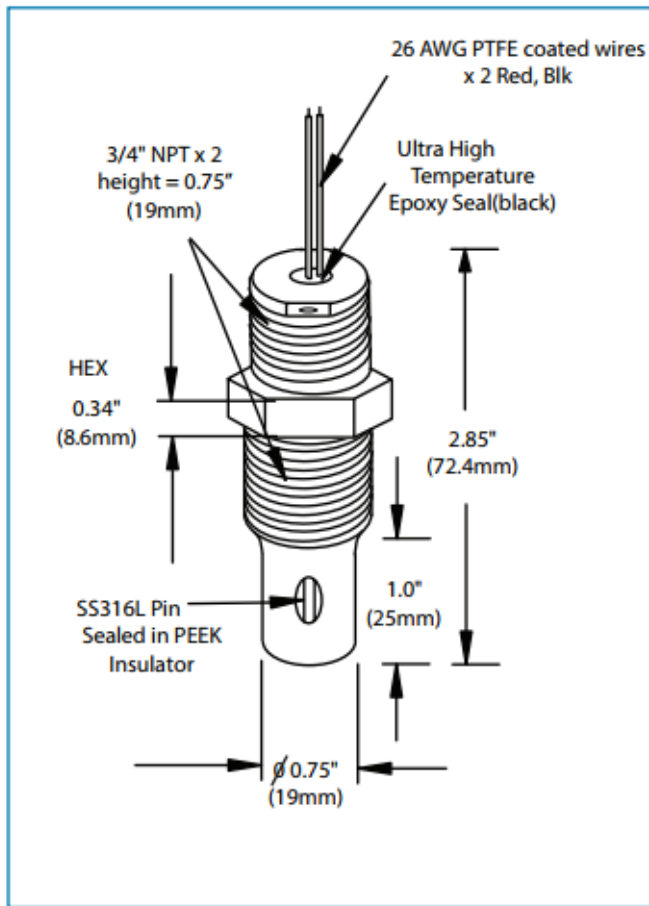
DESIGNED AND ASSEMBLED IN CALIFORNIA, USA

11751 MARKON DRIVE • GARDEN GROVE, CA 92841 • 714.895.4344 • WWW.SENSOREX.COM

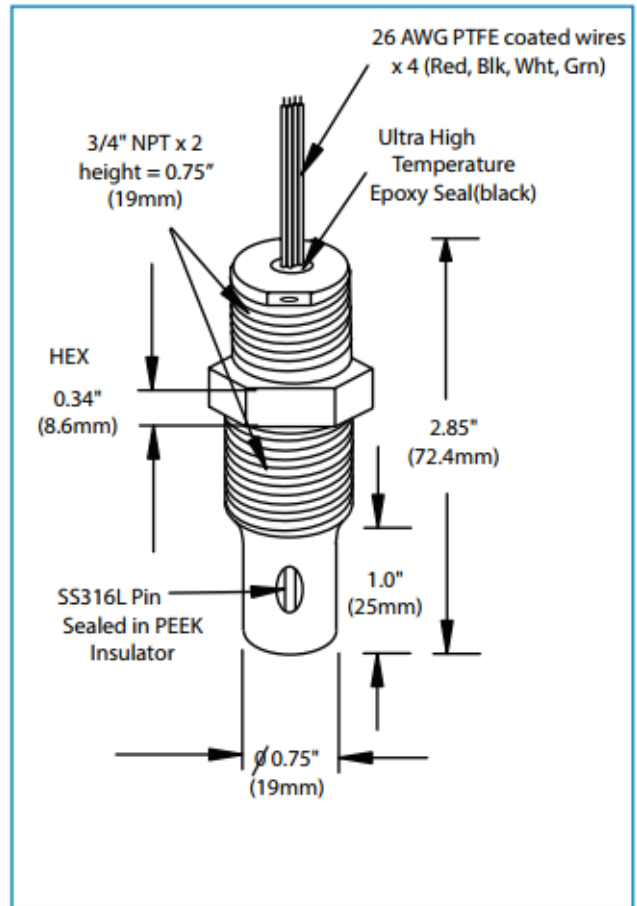
© Sensorex Corporation. All rights reserved. In the interest of improving and updating its equipment, Sensorex reserves the right to alter specifications to equipment at any time.

ULTRA HIGH TEMPERATURE AND PRESSURE BOILER CONDUCTIVITY SENSOR

CS875HT



CS875HTTC



DESIGNED AND ASSEMBLED IN CALIFORNIA, USA

11751 MARKON DRIVE • GARDEN GROVE, CA 92841 • 714.895.4344 • WWW.SENSOREX.COM

© Sensorex Corporation. All rights reserved. In the interest of improving and updating its equipment, Sensorex reserves the right to alter specifications to equipment at any time.